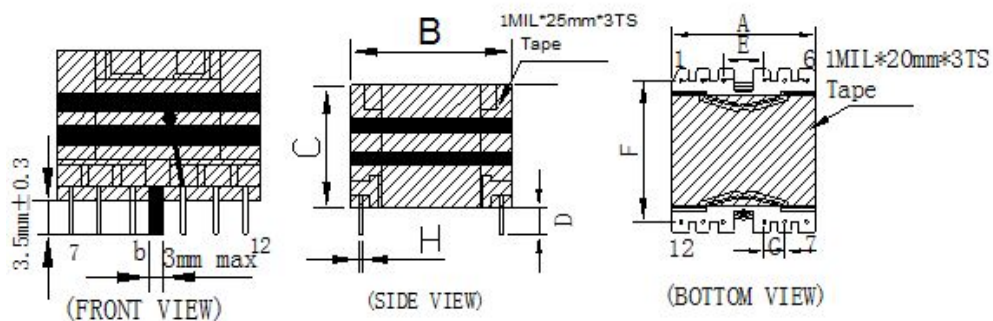


CUSTOMER TERMINAL	ROHS	Lead(Pb)-free
	YES	YES

1. Mechanical Dimensions



A	27.5	MAX
B	30.0	MAX
C	25.0	MAX
D	3.5	±0.3
E	7.0	±0.1
F	25.0	±0.1
G	3.0	±0.1
H	0.75	±0.1

3. Material List

Core:FW44 PQ2625

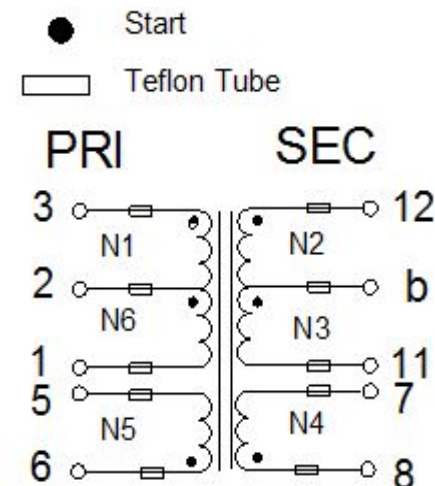
Bobbin:FWB2602(6+6PIN)

Wire:2UEW TIW LITZ

Copper foil: 0.025t*8.0mm

Operating Temperature: -30 to115 °C

2. Schematic Diagram



4. Electrical Specification

Inductance: L(3-1):750uH±5% 60KHZ 、 1V

Leakage Inductance : 10uH MAX 60KHZ 、 1V

DCR:(1-3)=0.37ΩMAX (11-12)=19mΩMAX

Hi-Pot:P-S: AC 60Hz 4000V 2.0mA 3S

P-CORE: AC 60Hz 4000V 2.0mA 3S

REV.	DATE	<p>Convention Placement</p>	DRW.		Drawing Title:	Part No:
0	00/00		CHK.			
				APP.		Customer P/N

ROHS

www.ferriwo.com